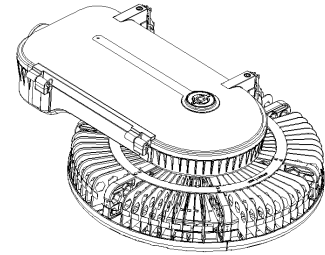


**READ AND RETAIN THESE  
INSTRUCTIONS FOR FUTURE REFERENCE**



Before installing, servicing, or performing routine maintenance upon this equipment, follow these general precautions.

### Important Information

- Product must be installed in accordance with the current regulations and electrical codes in the country of installation.
- Installation and service of luminaires should be performed by a qualified licensed electrician.
- Maintenance of the luminaires should be performed by person(s) familiar with the luminaires' construction and operation and any hazards involved.
- Do not install damaged product. Any broken or damaged parts should be replaced as soon as possible. This luminaire has been properly packed so that no parts should have been damaged during transit. Inspect to confirm.
- Luxtronik assumes no responsibility for claims arising out of improper or careless installation or handling of its products.
- Failure to follow any of these instructions could void product warranties

### Important User Safety Advice

- Make sure to observe and follow all necessary health and safety precautions when installing. Wear gloves and safety glasses at all times when removing luminaire from carton, installing, servicing or performing maintenance.
- Always Disconnect or turn off power before installation or servicing.
- Verify that supply voltage is correct by comparing it with the luminaire label information.
- Avoid direct eye exposure to the light source while it is on.

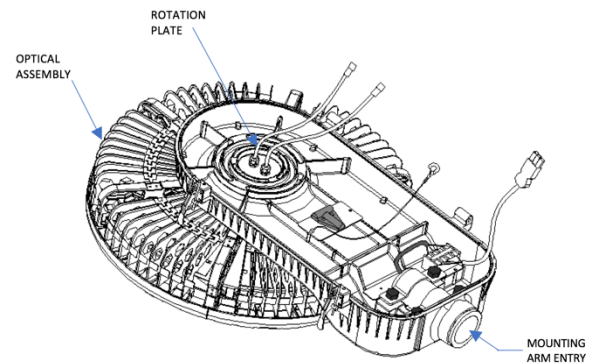
### Tools and Materials Required

DESCRIPTION	USE
9/16" Hex Socket	Mounting Bolts
Flat-end screwdriver	Terminal Block/Clamp Band
3/8" Nut Driver/Socket	Closure Screws
7/16" Deep Socket Torque Wrench	Optical Rotation Nuts (Asymmetric version)
	Mounting Bolts/Closure screws/Optical Rotation Screws
Philips screw driver	Photo control Receptacle

## Luminaire Installation

1. The Door assembly is shipped unattached to the Optical Assembly to aid the installer. Disconnect all power to the unit before beginning the installation. Attach the Optical assembly to the horizontal mounting arm (1-1/4" nominal pipe (1.50" OD) or 2" nominal pipe (2.375" OD). Route electrical supply wires from end of mounting arm through cutout in neoprene gasket in the mounting arm entry. Level the assembly across top of housing using spirit level for reference. Tighten four mounting arm entry bracket bolts (15-20 ft. lbs.). See Figure 1

Figure 1



2. Connect wires to terminal block in wiring chamber. Make all electrical and grounded connections in accordance with the current regulations and electrical codes in the country of installation.

**WARNING:** DO NOT FUSE THE GROUNDING CONDUCTOR. FAILURE TO FOLLOW THIS WARNING MAY RESULT IN DEATH OR INJURY.

3. Attach the door to the Optical Assembly. Remove the two cotter pins temporarily. Insert the door hinge pins into the housing hinge holes and replace cotter pins into the door hinge pin. See Figure 2

4. Make electrical connections to driver door assembly by joining color-coded plugs and connectors. See Figure 3.

Figure 2.

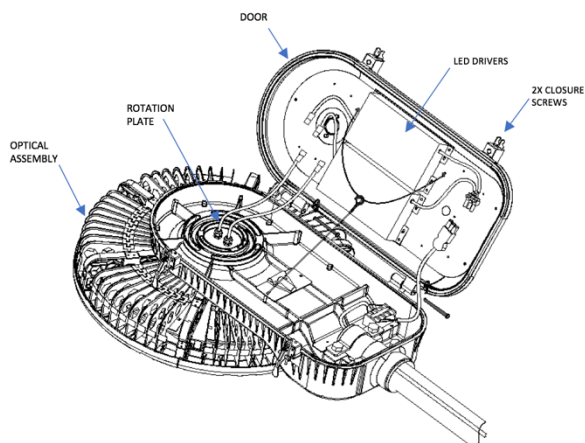
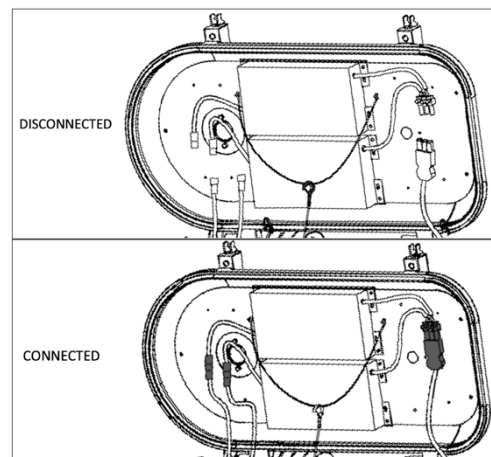


Figure 3.



#### 4. Optic Orientation:

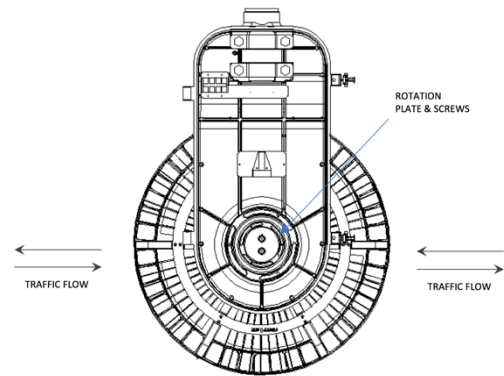
The NEMA optics produces non-symmetric distributions. Care must be taken when orienting these light patterns.

**4.1** With the door open or removed, loosen the three rotation screws one to two turns.

**4.2** Rotate the optical assembly to the correct orientation. Ensure the wires are not excessively strained during the rotation. Markings on top side of optical assembly indicate traffic flow direction (street side). See Figure 4.

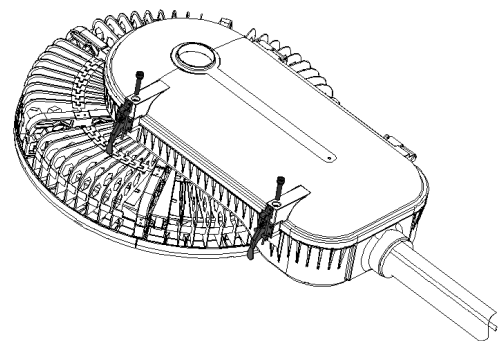
**4.3** Fully tighten (70-75 inch lbs) the three rotation screws to ensure the optical assembly is unable to rotate.

Figure 4.



**5.** Close the driver door and secure the door to the housing using two closure screws and/or latch hinges. Tighten evenly and securely (70-75 inch lbs). See Figure 5.

Figure 5.



#### CAUTION

VERIFY THAT NO WIRES ARE PINCHED BETWEEN THE DOOR AND HOUSING.

**7. Photo-control Option:** (Skip to next step if unit does not have a photo-control receptacle.)

Locate the photo-control receptacle on the top of the unit. Remove the protective cover. Orient the receptacle in the preferred orientation and Install a NEMA twist-on type photo control into the receptacle.

**8.** Electrically energize the unit and check for proper operation.

## **MAINTENANCE**

### **Cleaning of Luminaire**

It will occasionally be necessary to clean the outside of the optic lens. Frequency of cleaning will depend on ambient dirt level and minimum light output which is acceptable to user. Wipe off exterior dirt and debris using a soft clean cloth. A mild detergent and water may be used if necessary.

### **CAUTION**

DO NOT USE ABRASIVE CLEANERS ON OPTICAL SURFACES. THEIR USE MAY RESULT IN THE LOSS OF OPTICAL EFFICIENCY.

### **Electrical Component Replacement**

- 1.** Disconnect power to the unit prior to opening and performing any maintenance.
- 1.1** Surge Protector Replacement: Open the door and locate the surge protectors in the gear tray. Disconnect the surge protector via the terminals. Carefully remove the surge protectors and install the new appropriate surge protectors in the same location. Re- connect the surge protector wires to the terminals.
- 1.2** LED Driver Replacement: See Figure 2. Open the door and locate the drivers on the door. Before removing components, disconnect driver input and output leads nearest the driver via the quick disconnects. Remove the (4) driver screws to remove the driver from the electrical door; retain screws for reuse. Install new appropriate driver and tighten screws securely. Reconnect all driver input and output leads
- 1.3** Electrically energize the unit and check for proper operation.

The LED driver/door assembly can be detached for repair by removing two screws, two cotter pins, unplugging the electrical connectors and disconnecting the safety chain.

### **Limited Warranty and Limitation of Liability**

Warranty Five-year limited warranty. For full warranty terms please contact our sales representatives.

*Product specifications may change without notice. Please contact your sales representative for the latest product information*

These instructions do not purport to cover all details or variations in equipment nor to provide every possible contingency to meet in connection with installation, operation, or maintenance. Should further information be desired or should particular problems arise which are not covered sufficiently for the purchaser's or owner's purposes, this matter should be referred to Luxtronik.

© Luxtronik 2017