

Luxtronik



Pandora Flood Light (MFL)

50w-600w

Spec Sheet

Version 1.1
June 23, 2017

Luxtronik Technical Department

Pandora modular series is designed to solve long lasting issues in the supply and availability of industrial lighting. Our brand new Modular LED system is a fusion of exciting new technologies that gives our partners the flexibility to customize optics instantly and build a variety of luminaires on demand.

Features & Benefits

- Rapid fit optics, customize the light beam to deliver the perfect performance.
- Plug and play
- Unique waterproofing concept - instant IP65 rating for the light engines
- >130 lm/W designed to meet and exceed industry performance standards
- Protective UV stabilized powder coated finish
- Compatible with multiple dimming protocols including 0-10V and DALI
- Optional built-in emergency

Application

Pandora Flood Light is ideal for;

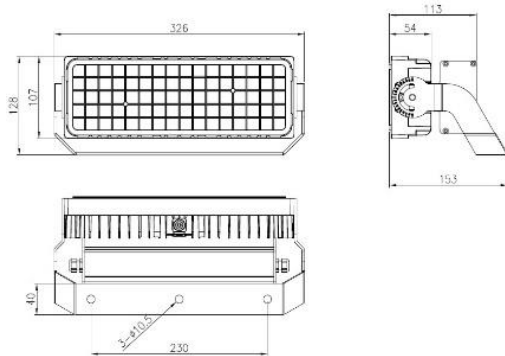
- Building facades
- Area lighting
- Signage & Billboards
- Depots
- Heavy industrial and wet locations

Technical Specification

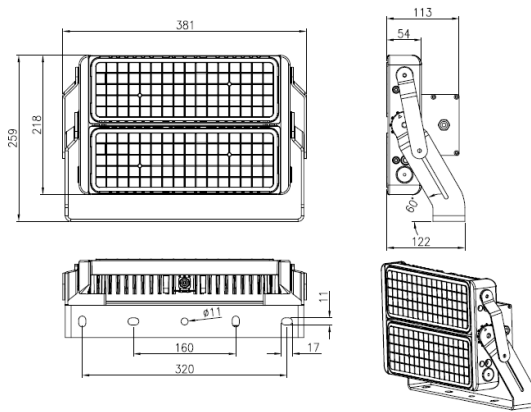
Description		Pandora LED Modular Flood Light Series (MFL)								
Recommended Product Location		Area and site lighting applications								
Model Number		LUX-MFL-050	LUX-MFL-075	LUX-MFL-100	LUX-MFL-150L	LUX-MFL-150H	LUX-MFL-200	LUX-MFL-300	LUX-MFL-400	LUX-MFL-600
Module Quantity		1	1	2	2	3	3	4	6	8
Module Max Power		50w	75w	100w	150w	150w	200w	300w	400w	580w
Typical System Power		55w	80w	110w	165w	165w	220w	330w	440w	640w
Typical Luminous Flux		7,100	9,600	14,300	19,000	21,400	26,800	39,600	57,000	76,800
Light Source		Lumileds / Osram mid-power LED								
Number of LEDs		80 LEDs per module								
Correlated Colour Temperature		4000K, 5000K, 6500K								
Colour Rendering Index		>70 or (>80 available)								
System Efficacy		130 lm/w								
LED Junction Temp.		≤75°C (@ Ta=25°C)								
Optics		Round: D3 (30°x30°), D6 (60°x60°), D9 (90°x90°) Nema: Type I (30°x100°), Type II (50°x140°), Type III (40°x140°), Type IV (30°x140°), Type V (140°x140°)								
Driver		Meanwell								
Input Voltage Range		100-305VAC 50/60Hz								
Power Factor		> 0.9								
Electrical Class		Class I								
Dimming Control options		0-10V, DALI								
Driver Tc		75°C								
Ambient Operating Temperature		-40°C to +40°C								
Ambient Storage Temperature		-25°C to +80°C								
Material		Die-cast Aluminium (module), Zinc galvanized steel (bracket)								
Optical Cover		Polycarbonate								
Finish		Black or Grey powder coating (customized RAL colour available upon request)								
Ingress Protection (IP)		IP65								
Quality Assurance System		ISO9001, ISO14001								
Batch Coded		Yes								
Certification		CE, CB, SAA, ETL								

Dimensions

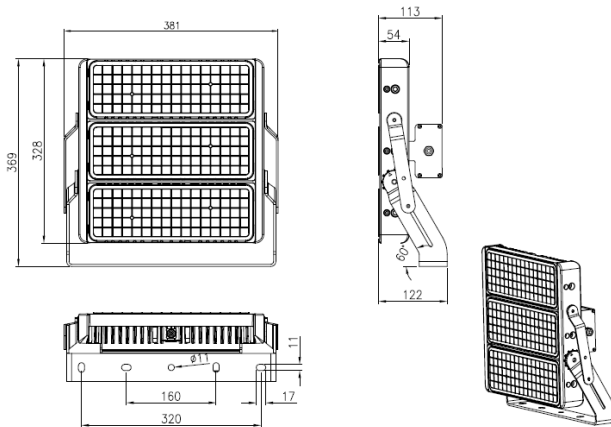
50 / 75



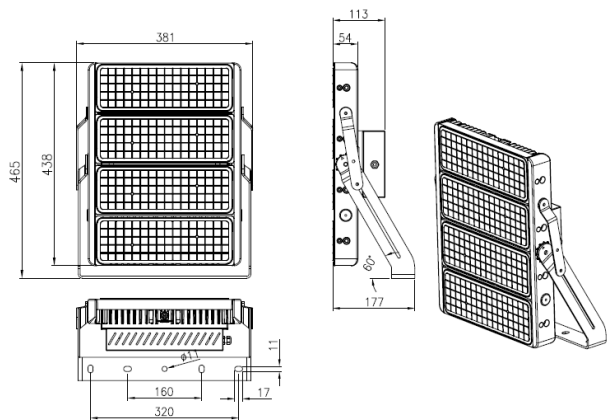
100 / 150L



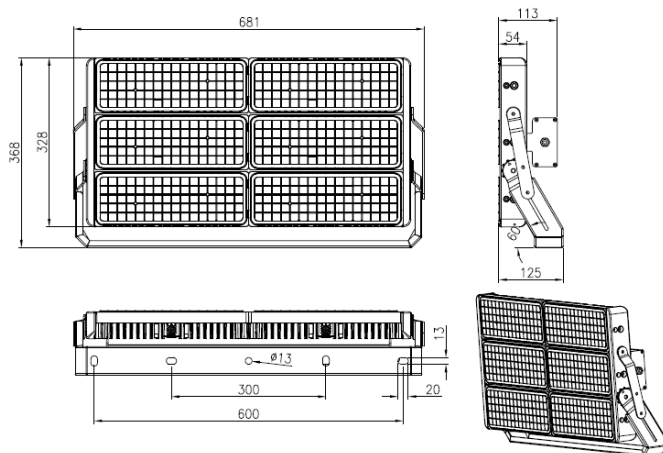
150H / 200



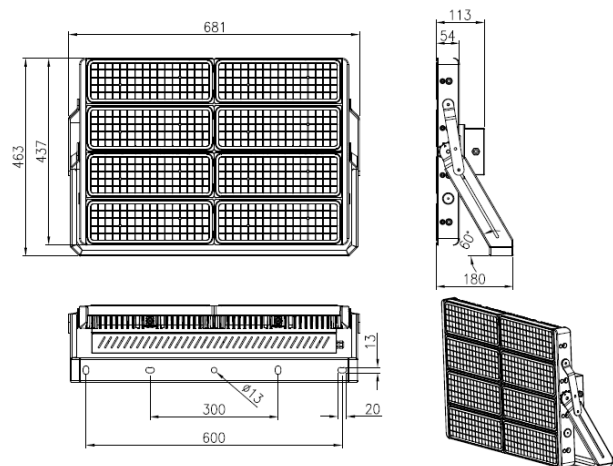
300



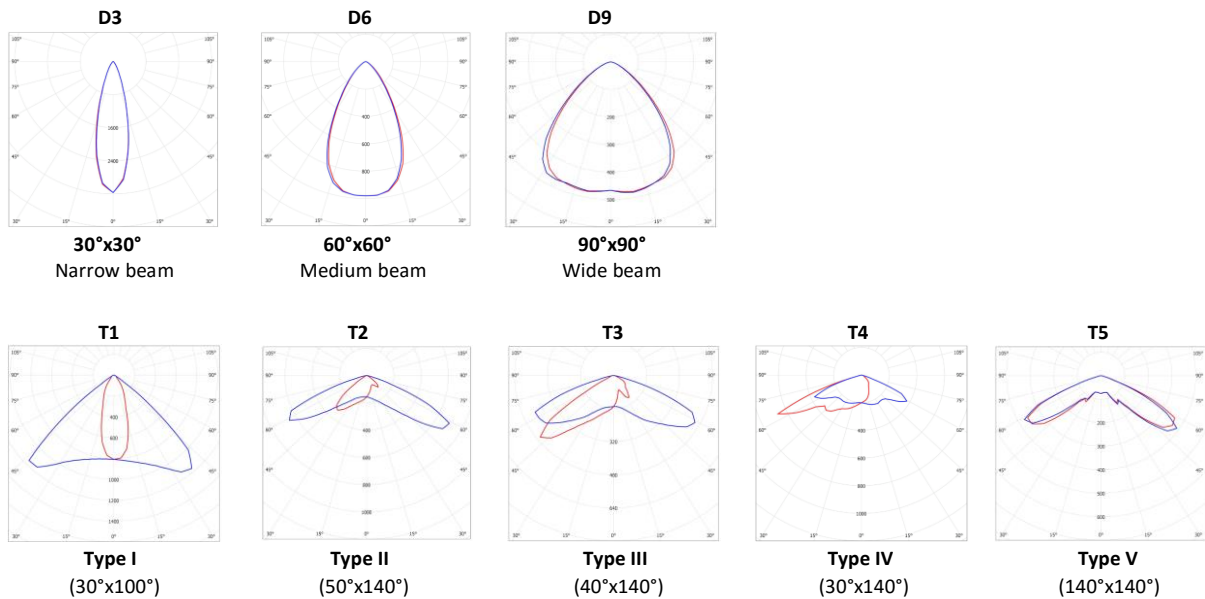
400



600



Photometrics



Ordering Information

Product ID	LED Power	Color Temp	CRI	Optics	Control	Finish
MFL	050 = 50W 075 = 75W 100 = 100W 150L = 150W 150H = 150W 200 = 200W 300 = 300W 400 = 400W 600 = 600W	40K = 4000K 50K = 5000K 65K = 6500K	70 = Min 70 80 = Min 80	D3 = Round (30°x30°) D6 = Round (60°x60°) D9 = Round (90°x90°) T1 = Type I (30°x100°) T2 = Type II (50°x140°) T3 = Type III (40°x140°) T4 = Type IV (30°x140°) T5 = Type V (140°x140°)	ND = Non-Dimmable VD = 0-10V Dimmable DD = DALI Dimmable	WH = White BL = Black

Note: Actual performance may differ as a result of end-user environment and application. All values are typical values, measured under laboratory conditions at 25 °C. Specifications subject to change without notice.