

**Luxtronik**



## **Persus (HBE)**

30w-120w

## **Spec Sheet**

Version 1.0  
April 20, 2017

Luxtronik Technical Department

Persus are a range of LED highbays built for direct replacement of metal halide luminaires. Their traditional aesthetic makes them a great choice for switching to LED whilst blending in to the original environment.

## Features & Benefits

- Up to 110lm/w system efficacy
- Unique, fold fin heatsink technology greatly reduces thermal density and maintains a low LED junction temperature
- Simple installation and maintenance
- Optional lens for narrow and wide beam patterns and glare reduction
- 0-10V or DALI Dimming options and compatible with all leading sensor brand

## Applications

Designed for low or high ceiling, open space applications such as;

- Warehouses
- Logistic centers
- Production workshops
- Storage facilities
- Car Showrooms
- Supermarkets

## Technical Specification

Description	Persus LED Highbay Light (HBE)						
Recommended Product Location	Industrial and open area lighting applications						
Model	LUX-HBE-030	LUX-HBE-040	LUX-HBE-050	LUX-HBE-060	LUX-HBE-080	LUX-HBE-100	LUX-HBE-120
LED Max Power (W)	30	40	50	60	80	100	120
Typical System Power (W)	33	44	55	66	88	110	132
Typical Luminous Flux (lm)	3,300	4,400	5,500	6,600	8,800	11,000	13,200
Dimensions (mm)	395x467	395x467	395x492	395x492	395x512	395x512	395x512
Weight (kg)	5.4	5.4	6.6	6.6	7.8	7.8	7.8
Light Source	Lumileds Luxeon TX (default) / Osram Oslon Square / Cree XPG3						
Correlated Colour Temperature	4000K, 5000K, 6500K						
Colour Rendering Index	>70 (or >80 available)						
System Efficacy	100 lm/w						
LED Junction Temp.	≤75°C (@ Ta=25°C )						
Light Distribution options	80°, 100°						
Driver	Meanwell HLG						
Input Voltage Range	100-305VAC 50/60Hz						
Power Factor	> 0.90						
Electrical Class	Class I						
Dimming Control (optional)	0-10V, DALI, PWM						
Ambient Operating Temperature	-40°C to +45°C						
Ambient Storage Temperature	-25°C to +80°C						
Material	Aluminium						
Optical Cover	Polycarbonate or Tempered Glass						
Finish	Aluminium (customized RAL colour available upon request)						
Ingress Protection (IP)	IP40 or IP65						
Batch Coded	Yes						
Sensor compatible	All leading motion or daylight sensors						
Certification	CE						

## Accessories

### Sensor compatible

Bracket design can be custom made for different sensors  
(ordered separately)



PC Reflector



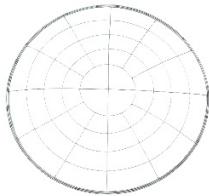
80° Aluminum Reflector



100° Aluminum Reflector



120° Aluminum Reflector



Wire Guard

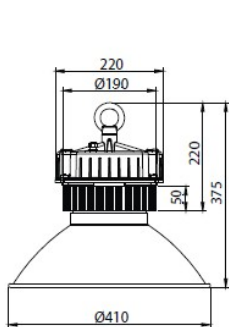


Frosted Module

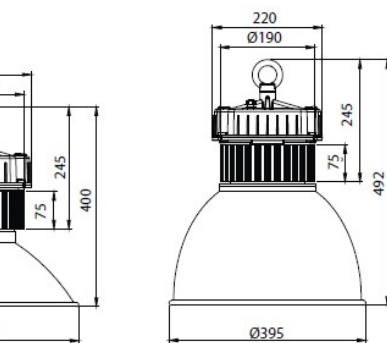
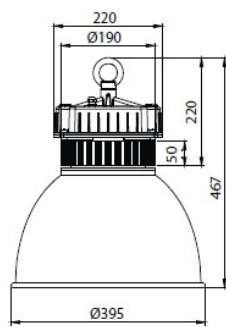


Glass Cover

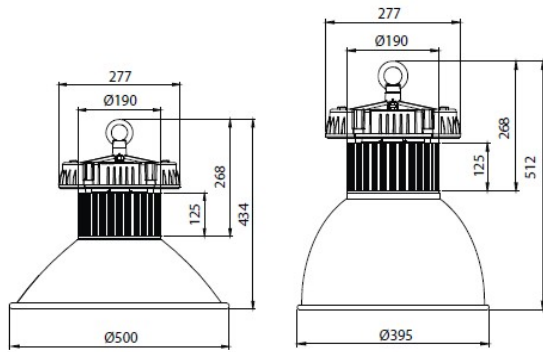
## Dimensions



LUX-HBE-030 /040

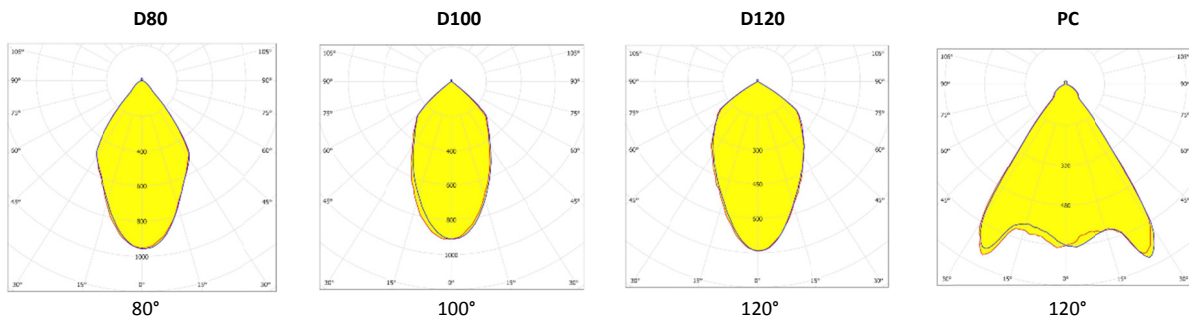


LUX-HBE-050 /060



LUX-HBE-080 / 100 / 120

## Photometrics



## Ordering Information

LED Power	Color Temp	CRI	Optics	Control	IP	Extras
030 = 30W	40K = 4000K	70 = Min 70	D80 = 80°x80°	ND = Non-Dimmable	40 = IP40	GC = Glass Cover
040 = 40W	50K = 5000K	80 = Min 80	D100 = 100°x100°	VD = 0-10V Dimmable	65 = IP65	
050 = 50W	65K = 6500K		D120 = 120°x120°	PW = PWM Dimmable		
060 = 60W			PC = Polycarbonate (120°x120°)	DD = DALI Dimmable		
080 = 80W						
100 = 100W						
120 = 120W						

Note: Actual performance may differ as a result of end-user environment and application. All values are typical values, measured under laboratory conditions at 25 °C. Specifications subject to change without notice.